

EXHIBIT F wood fencing details

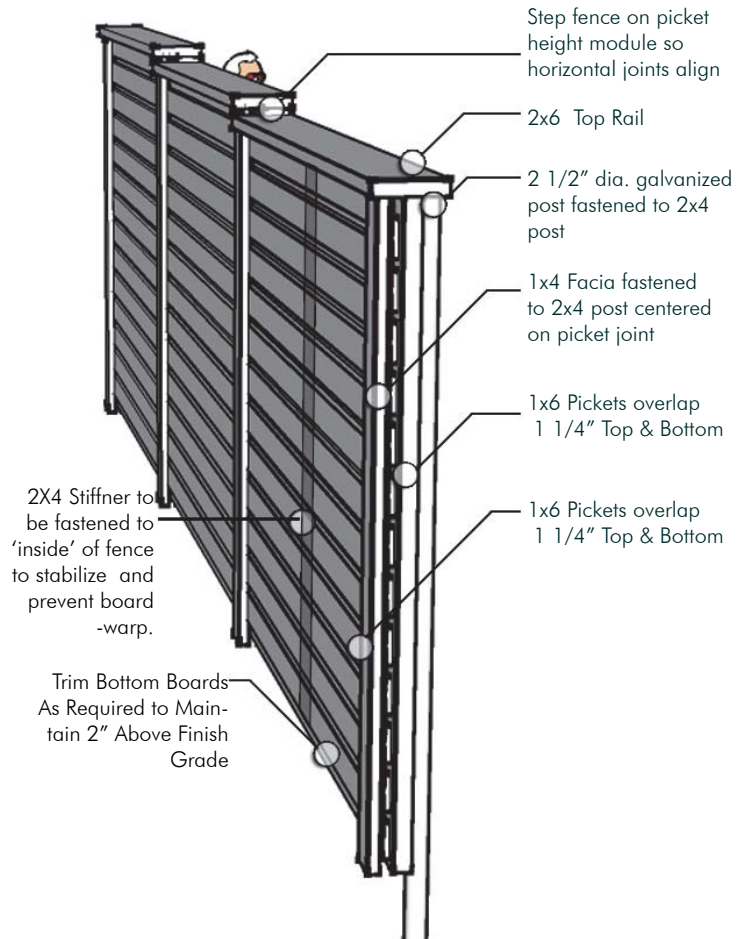
The “Union Park” Wood Fence

Fence is to be 6' height #1 grade rough cedar. **All Wood to be pre-dipped with ACE FENCING: UNION PARK GREY (call: 972-578-5775)** All connections to be galvanized, bottom picket to be field cut to slope with grade at 2" above finish grade. 2x4 cedar post @ 6' o.c. fastened to 2 1/2" galvanized post set in concrete foundation. 1x6 pickets to overlap 1 1/4" with 2x6 top rail and 1x4 fascia centered on 2x4 post. At property corners and shared corners, 2x6 posts are to be used with 1x6 fascias. Every 3' a 2x4 stiffener to be fastened on the 'inside' of the fence to prevent board-warp. Any fence facing public street or area should always show the non intermediate post or "good side" towards the street or public area.

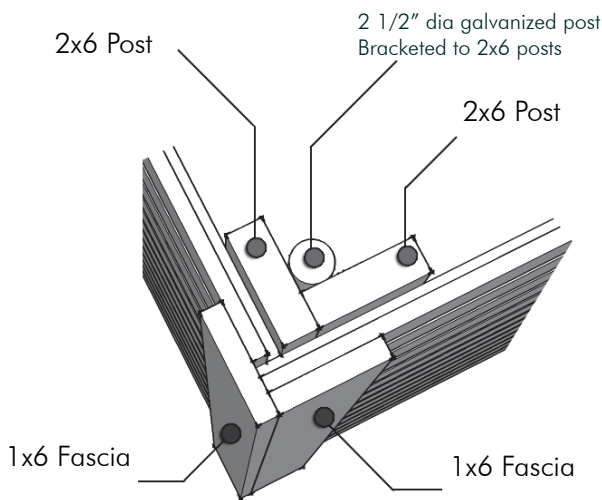
Given the horizontal nature of the fencing planks special care should be taken when joining a new fence with an existing one. Construction should always begin from the existing fence to ensure that the existing and new horizontal planks line up and create a seamless transition.

All fences shall be constructed with the finished side facing out on key lots, side lots and window lots **See Exhibit D for fencing orientation.**

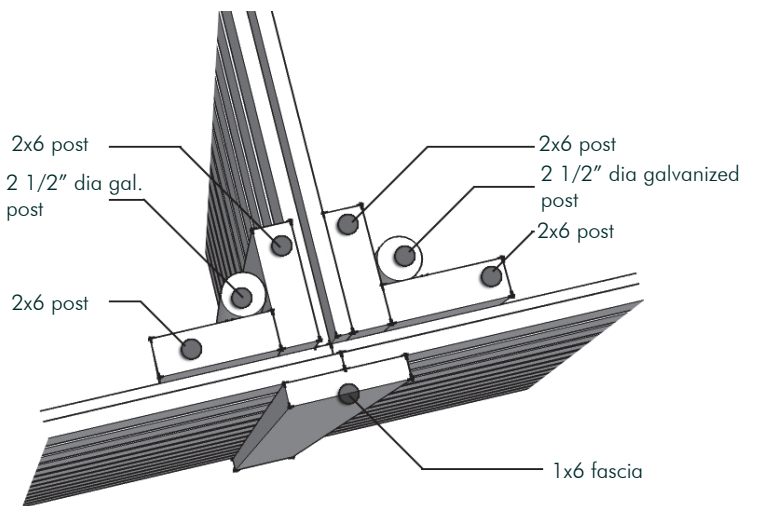
No post shall be visible from any street, alley, open space or within the community of the home being constructed



Fencing Detail and Section



Fencing Corner Detail



Fencing Top Detail For Corner at Shared